

Co-produced by:



Basics of Threads and Thread Gaging

WEBINAR | FEBRUARY 8 | 11 A.M. – 1 P.M. CST

[Click to Register](#)

BASICS OF THREADS AND THREAD GAGING

Do you know the relationship between thread pitch and thread lead? Why the pitch diameter is so important? How system 21 thread gages change from before plating to after plating conditions? These and many more questions regarding threads and thread gaging will be answered in this two-hour webinar.

We will explore some of the basic terminology and concepts related to 60° threads, why the pitch diameter is so important to both manufacturers and users, how clearance threads are intended to fit together, and the basic concepts related to verifying thread quality through gaging.

WHAT TOPICS WILL BE COVERED?

- Basic terminology and concepts related to 60° threads and verifying thread quality through gaging
- Why the pitch diameter is so important to both manufacturers and users
- How clearance threads are intended to fit together

WHO SHOULD ATTEND?

- Anyone new to the fastener industry
- Engineers, quality quoting, sales professionals
- Anyone interested in learning more about fastener technology

REGISTER TO ATTEND AT
bit.ly/iffefb82022

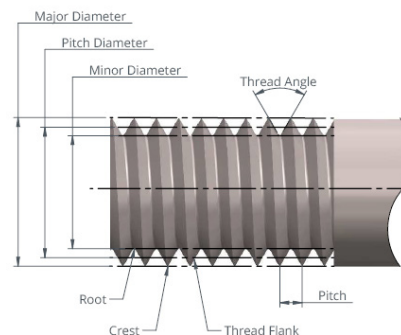
DETAILS

Register: bit.ly/iffefb82022

February 8
11 a.m. – 1 p.m. CST
(12 – 2 p.m. ET / 9 – 11 a.m. PT)

PRICING

Single User Rate: **\$140**
Group Rate: **\$550** up to 5 people
IFI Members: Free



MEET THE INSTRUCTOR:

Laurence Claus
IFI Director of Training

